

GOTTSCHLIGG
THE FULL PALLET
OF SERVICES



GOTTSCHLIGG
RANGE OF PRODUCTS
WOOD – METAL - PLASTIC



GOTTSCHLIGG
LOADCARRIERS AND RACKS
MADE OF METAL

GOTTSCHLIGG SOLID WALL CONTAINER (DIFFERENT SIZES)



- With or without hatches and flaps



GOTTSCHLIGG **MESH BOX PALLET** **(LOTS OF VARIATIONS AVAILABLE)**



- Standard UIC or customized
- With modular design
- With or without hatches



GOTTSCHLIGG **LARGE CAPACITY CONTAINER** **(GRID WITH THINWALL-SHEET)**



- Also possible as solid-wall container
- In various sizes

GOTTSCHLIGG SPECIAL LOADCARRIERS



- Designed to customers reqs.
- With front canvas cover
- With BAM-authorisation (e.g. for Airbags)

GOTTSCHLIGG SPECIAL LOADCARRIERS



- Designed to customers reqs.
- For the transport of 5.5m long side covers
- With composites to prevent scratches
- With collapsable steel fixtures to guarantee a safe transport

GOTTSCHLIGG **SPECIAL LOADCARRIER** **(FOR CRANKSHAFT)**



- Collapsible
- With deepdrawing foils

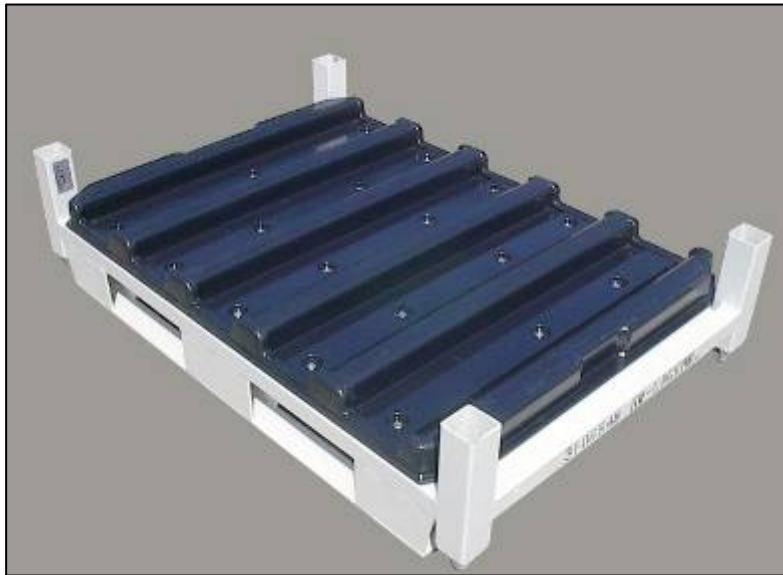


GOTTSCHLIGG **SPECIAL RACK** **(FOR 4- AND 6 CYLINDER ENGINES)**



- For secured overseas transport of engines
- Fully collapsable

GOTTSCHLIGG **SPECIAL LOADCARRIER** **(FOR BIG END BEARING)**



GOTTSCHLIGG **SPECIAL LOADCARRIER** **(FOR GEARBOX)**





GOTTSCHLIGG
PALLETS AND LOADCARRIERS
MADE OF WOOD

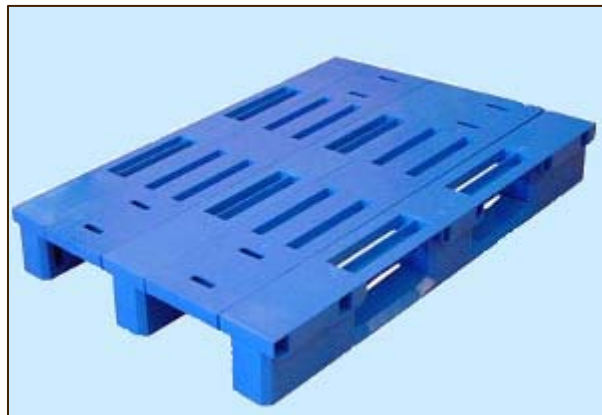
GOTTSCHLIGG **PRODUCT PORTFOLIO** **(WOOD)**

- EUR exchange pallet
- Specialpallets
- Display- and
Containerpallets
- Pallets for the chemical
industry
- Solid pallet collars
- Foldable pallet collars
- Lids and deckboards
- Boxes and crates

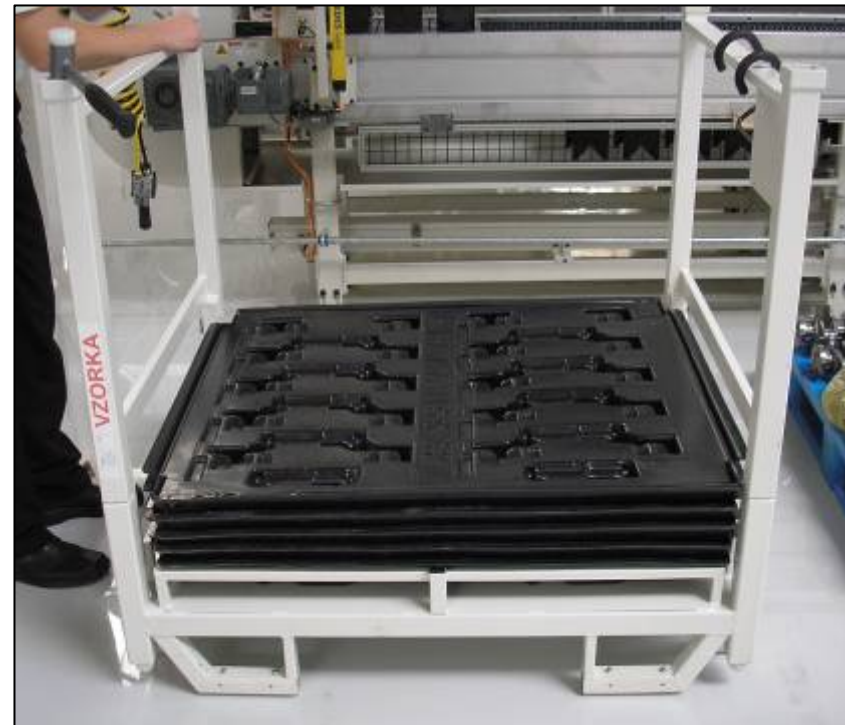
GOTTSCHLIGG **COLLARS AND PALLETS** **(LOTS OF VARIATIONS AVAILABLE)**



GOTTSCHLIGG PRODUCT PORTFOLIO (PLASTICS)



GOTTSCHLIGG DEEPDRAWING-FOILS (e.g. FOR CYLINDER BLOCK)





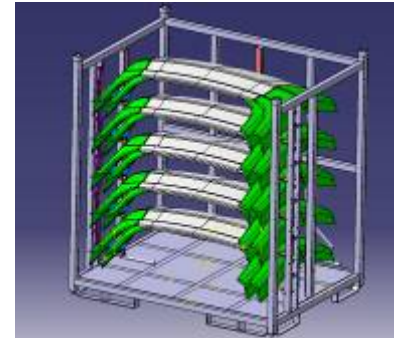
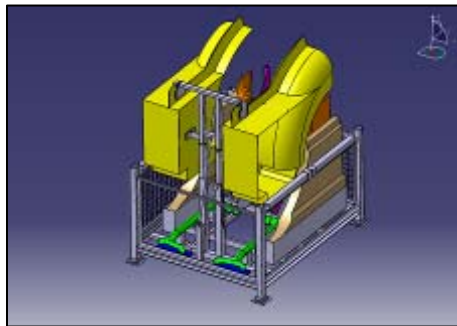
GOTTSCHLIGG
YOU HAVE THE LOAD
WE HAVE THE SOLUTION

GOTTSCHLIGG **DEVELOPMENT** **(WOOD)**

- Special computer simulation programs
(Pallet Physical Property Analysis)
- Developed in co-operation with university research and
based on many years of practical testing.
- For the determination of load-capacity and the
calculation of the most cost-effective design.

GOTTSCHLIGG DEVELOPMENT (METAL)

- Technological innovations & developments by using different CAD-systems incl. CATIA V.5 and 3D VIA



- Calculation of the static key data (ultimate load, extra load, stacking factor)



GOTTSCHLIGG
WE INVITE THEM ALL
ON BOARD